

PAMS Technical Documentation

RAE-3NU* Series PDA

2. General Information

CONTENTS –Troubleshooting

	Page No
Introduction to RAE–3NU*	2 – 4
Technical Summary	2 – 4
List Of Modules	2 – 6
Accessories	2 – 7
General Accessories	2 – 7
Portable And Office Accessories	2 – 7
Mobile Accessories	2 – 7

Introduction to RAE-3NUS/NUT/NUH

RAE-3NUS/NUT/NUH is a dualband communicator with high speed data (HSCSD) for the GSM 900 and DCS1800 networks and keyboards customized for the Chinese language. The GSM power class is 4 and the PCN power class is 1.

The RAE-3NU* Communicator provides an advanced and versatile connection between people via various media: cellular phone, fax, sms, e-mail and internet.

Technical Summary

The communicator has a full graphic phone display and a user interface based on two soft keys on the front cover.

The device comprises two user interfaces. The conventional cellular phone interface is on the front cover. By opening the device the user can access the graphical user interface to use the Personal Digital Assistant.

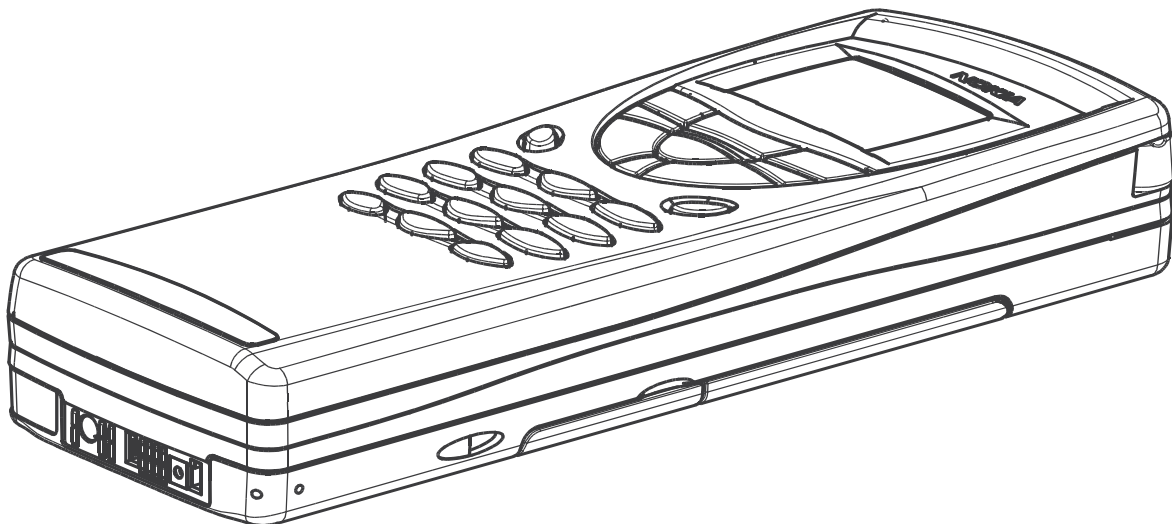


Figure 1: RAE-3NU* CMT Interface

The RAE-3NU* has a clamshell structure. The PDA display and full QWERTY keyboard are visible when the device is opened. The PDA user interface has a full graphic 640 x 200 colour (4096 colours) display.

The phone employs a fixed stripline antenna. The bottom 'system' connector incorporates a RF connector for car-kit antenna connection.

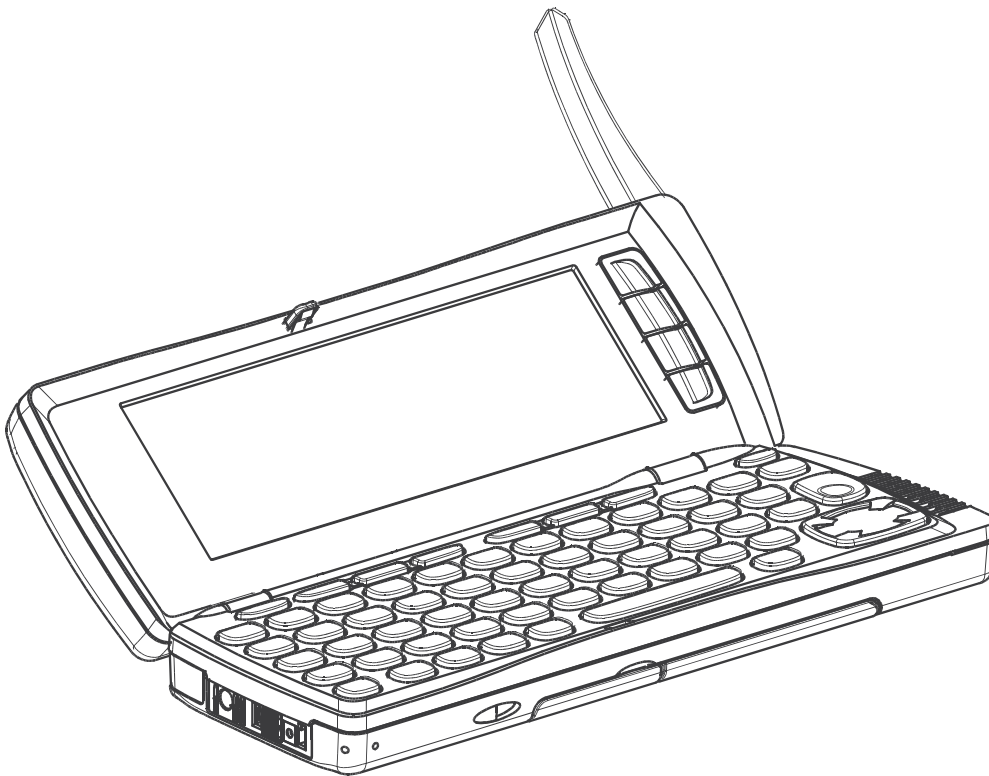


Figure 2: RAE-3NU* PDA Interface

The communicator has a leakage tolerant earpiece and omnidirectional microphone providing excellent audio quality. Full rate, enhanced full rate and half rate speech decoding is supported. High quality personal hands free functionality is also provided.

An integrated IrDA link is provided for data transfer between two RAE-3NU* communicators or between the communicator and a PC or printer. RS232 connection can also be used between communicator and PC.

A Memory Card slot is located inside the communicator. This card can be used to extend user data memory and to store applications.

The SIM (Subscriber Identity Module) card is located inside the communicator, next to the battery pack..

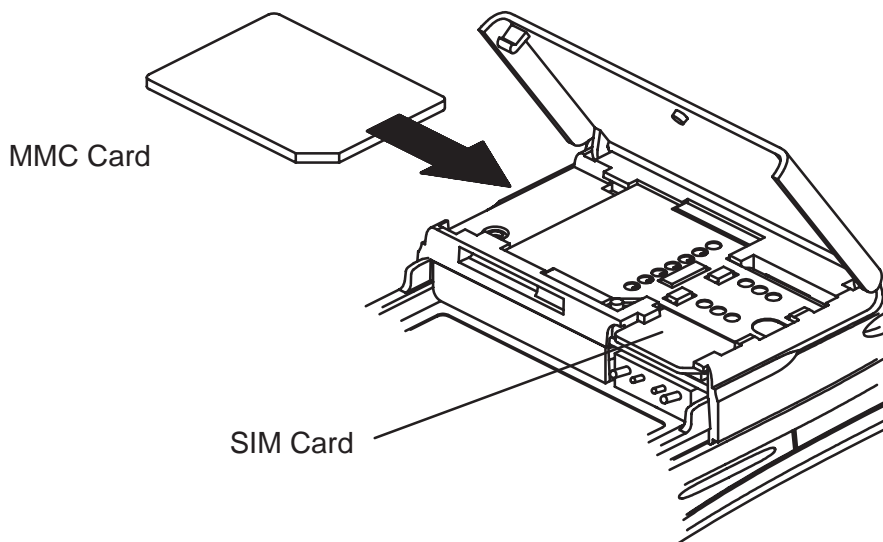


Figure 3: MMC and SIM Cards

The RAE-3NU* is running both PDA and phone software in a single RISC CPU. The RAE-3NU* is also using the Symbian operating system based software platform. (Symbian is an operating system from Psion Software Inc.)

NOTE: Due to the infrared data link the RAE-3NU* is officially specified as :
CLASS 1 LASER PRODUCT.

See IEC 60825–1 specification 825–1; Labelling, 5.1 General 5.2 Class 1.

List Of Modules

The bottom assembly contains one electronic module. This contains a single PWB (KL8).

Name of module	Type code	Notes
RF & System Module	KL8	Standard KL8 PWB with FLASH memories
Keyboard and hinge flex module	UL8	Module built up from FL1 FPC, AF8 audio PWB and connectors
UI Module	DL1	PDA & CMT displays built onto UL1 PWB
Mechanics	MRAE–3	All mechanical parts excluding language dependant parts, like QWERTY–Keymat and some others.

For variant information kindly refer to the Variants section of this manual.

Accessories

General Accessories

Batteries:

Name of module	Type code	Material code	Notes
High-power Battery	BLL-3	0670290	Lithium-ion 1300 mAh (prismatic cell)

Chargers:

Name of module	Type code	Material code	Notes
Performance Travel Charger	ACP-9E	0675149	Euro-plug, operating voltage 90 .. 264 Vac
Performance Travel Charger	ACP-9X	0675150	UK-plug, operating voltage 90 .. 264 Vac
Performance Travel Charger	ACP-9C	0675204	Chinese-plug and label. 90 .. 264 Vac
Performance Travel Charger	ACP-9A	0675152	Australia-plug, operating voltage 90 .. 264 Vac
Mobile Charger	LCH-9	0675120	Operating voltage 10.8 .. 32 Vdc
Fast Travel Charger	ACP-12 C	0675297	US plug, 90...264Vac
Fast Travel Charger	ACP-12 G	0675295	US plug, 90...264Vac
Fast Travel Charger	ACP-12 U	0675303	US plug, 90...264Vac
Fast Travel Charger	ACP-12 UB	0675293	US plug, 90...264Vac
Fast Travel Charger	ACP-12 E	0675294	Euro-plug, 90 .. 264 Vac
Fast Travel Charger	ACP-12 X	0675296	UK-plug, 90 .. 264 Vac
Fast Travel Charger	ACP-12 AR	0675298	Australia-plug, 90 .. 264 Vac
Fast Travel Charger	ACP-12 A	0675300	Australia-plug, 90 .. 264 Vac

Portable And Office Accessories

Name of module	Type code	Material code	Notes
Headset	HDC-8L	0694079	
Carry Case	CBR-44	0720262	
Advanced Desktop Stand	DCH-10	0675209	
RS232 Adapter Cable	DLR-2	0271367	Cable between communicator and PC serial port
Memory Card	DTS-64	0273026	

Mobile Accessories

Name of module	Type code	Material code	Notes
Advanced Active Car Holder	CRM-1	0630220	
Mounting Plate	MKU-1	0620036	

2. General Information

Technical Documentation

Name of module	Type code	Material code	Notes
Swivel Mount	HHS-13	0620055	
Hands Free	HFU-2	0694049	Hands free to be used with MCC-x
Handset	HSU-1	0640047	Handset to be used with HFU-2
HF Microphone	HFM-8	0690016	Microphone to be used with HFU-2
HF Speaker	HFS-12	0692008	Speaker to be used with HFU-2
Power cable	PCH-4J	0730055	Power cable to be used with HFU-2
Memory Card	DTS-64	0273026	

This page intentionally left blank.